



# TREMLOCK INFINITY FLUSH COPING

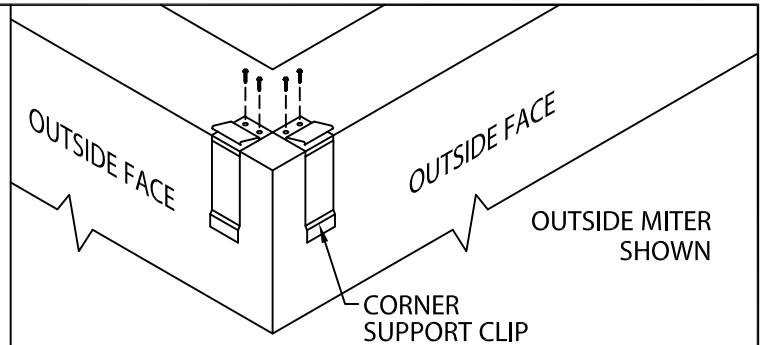
TAPERED VERSION - 4'-0" O.C.

## INSTALLATION INSTRUCTIONS

**IMPORTANT:** Prior to installation, read instructions carefully.

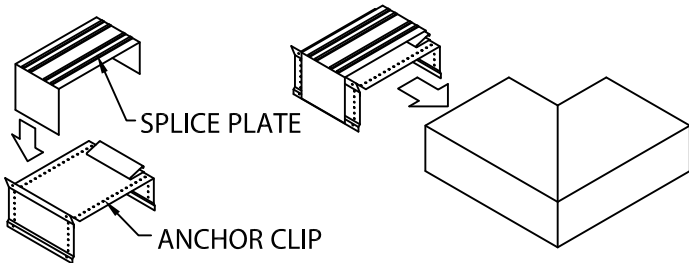
**NOTE:** Position roof membrane on top of the wall covering the treated wood nailer(s) or substrate completely. Allow 1/2" minimum excess membrane beyond nailer where applicable. NRCA requirement. Membrane not shown for clarity.

**CAUTION:** INSTALL MITERS FIRST!

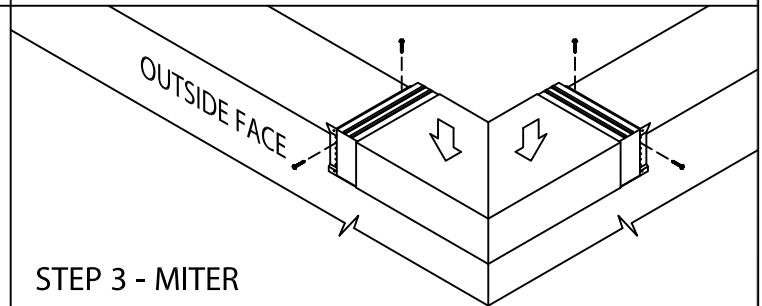


### STEP 1 - CORNER SUPPORT CLIPS

LOCATE AND FASTEN GALVANIZED CORNER SUPPORT CLIPS TO THE WALL.

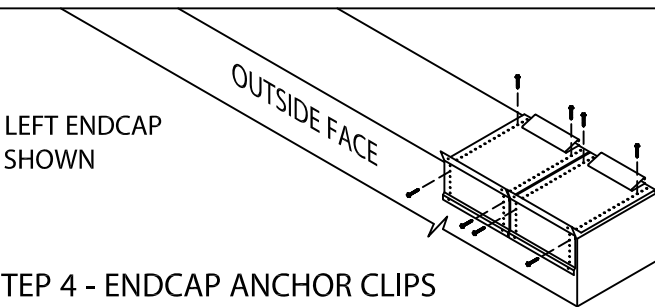


**STEP 2 - MITER SPLICE PLATES & ANCHOR CLIPS**  
POSITION THE SPLICE PLATE IN THE CENTER OF THE ANCHOR CLIP. INSTALL THE SPLICE PLATE AND ANCHOR CLIP ASSEMBLY INTO EACH END OF THE CORNER AS SHOWN



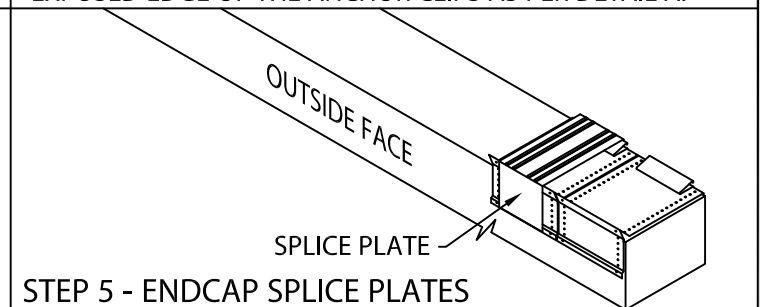
### STEP 3 - MITER

PLACE THE CORNER ASSEMBLY INTO POSITION AND SECURE AT THE EXPOSED EDGE OF THE ANCHOR CLIPS AS PER DETAIL A.



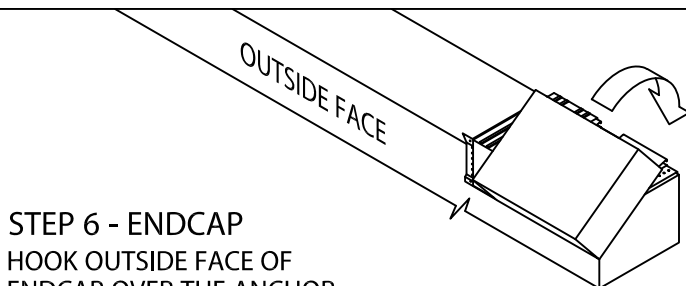
### STEP 4 - ENDCAP ANCHOR CLIPS

LOCATE AND FASTEN GALVANIZED ANCHOR CLIPS TO WALL WITH PROVIDED FASTENERS FOR SUBSTRATE (SEE DETAIL A).



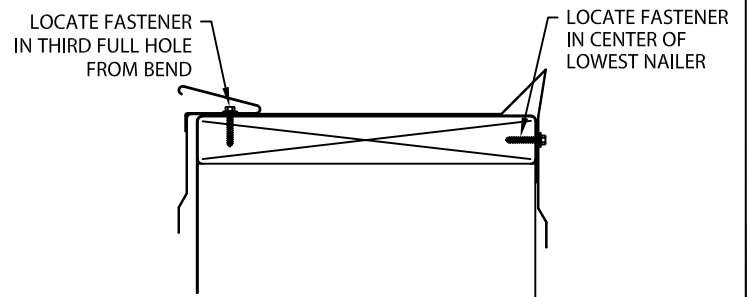
### STEP 5 - ENDCAP SPLICE PLATES

REMOVE RELEASE PAPER FROM TOP OF FACTORY APPLIED SEALANT STRIPS. PLACE SPLICE PLATE ONTO SECOND ANCHOR CLIP AS SHOWN.



### STEP 6 - ENDCAP

HOOK OUTSIDE FACE OF ENDCAP OVER THE ANCHOR CLIPS AND ROTATE INTO PLACE. ENGAGE REAR LEG ONTO ANCHOR CLIPS BY PRESSING DOWNWARD UNTIL SNAP LOCK OCCURS.



**ANCHOR CLIP FASTENING-DETAIL A**



PHONE: 262-953-2666  
EDGESYSTEMS@TREMCOINC.COM  
WWW.TREMCOROOFING.COM

DATE: 07/20/18  
DRN BY: JJC  
CKD BY: SAK

SHT.# 1 OF 2  
DWG# 60111-29290 **A**



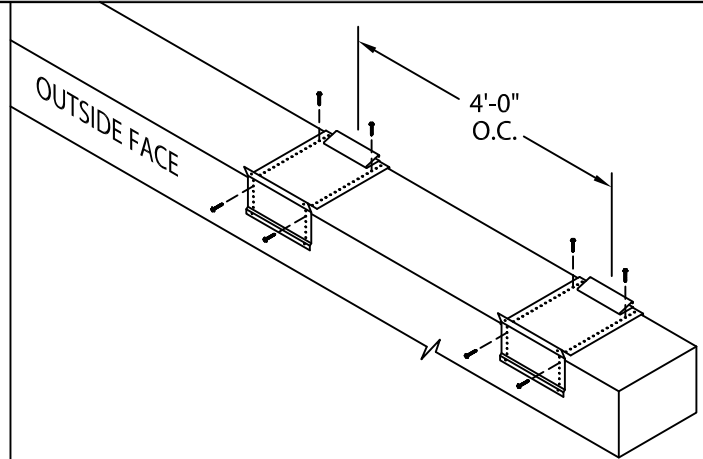
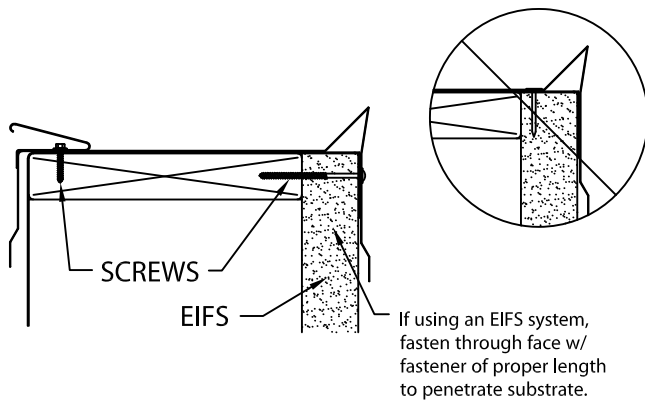
# TREMLOCK INFINITY FLUSH COPING

TAPERED VERSION - 4'-0" O.C.

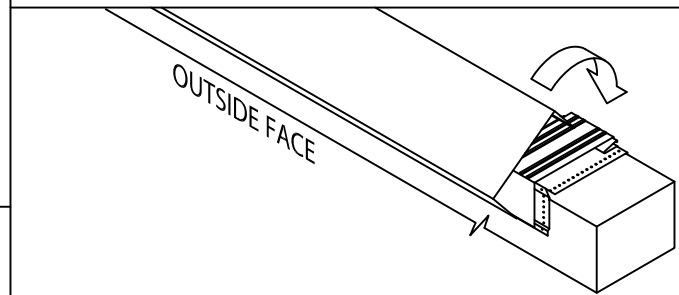
## INSTALLATION INSTRUCTIONS

### INSTALLATION NOTES:

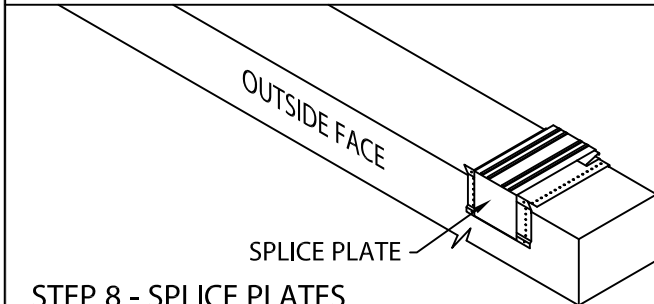
- 1) Installing contractor shall check as-built conditions, including nailer attachment, and verify the manufacturer's coping details for accuracy to fit the wall assembly prior to fabrication.
- 2) Fasteners must be corrosion resistant and rated for a minimum 250# pullout force for the substrate that is being used.



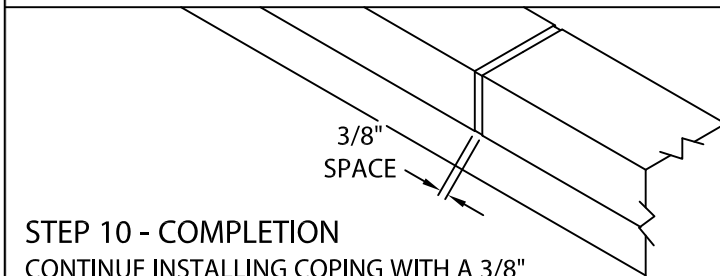
**STEP 7 - ANCHOR CLIPS**  
 LOCATE OVER MEMBRANE AND FASTEN GALVANIZED ANCHOR CLIPS TO WALL AT 4'-0" CENTER WITH PROVIDED FASTENERS AS SHOWN IN DETAIL A.



**STEP 9 - COPING**  
 HOOK OUTSIDE FACE OF COPING OVER THE ANCHOR CLIPS AND ROTATE INTO PLACE. ENGAGE REAR LEG ONTO ANCHOR CLIPS BY PRESSING DOWNWARD UNTIL SNAP LOCK OCCURS.

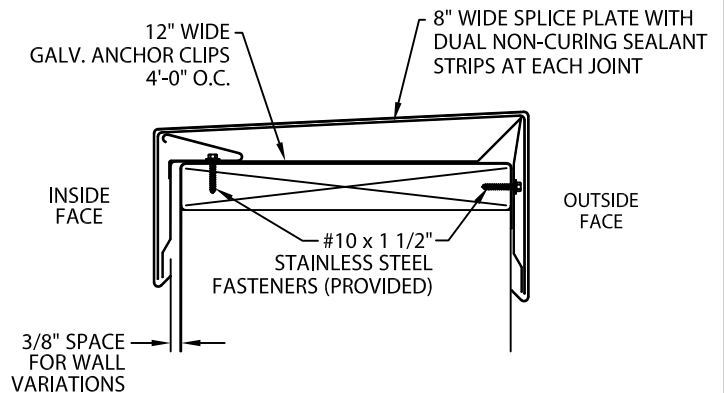


**STEP 8 - SPLICE PLATES**  
 PLACE SPLICE PLATE ONTO ANCHOR CLIPS AT SPLICE JOINTS, 12'-0" O.C.  
 NOTE: REMOVE RELEASE PAPER FROM SEALANT STRIPS.



**STEP 10 - COMPLETION**  
 CONTINUE INSTALLING COPING WITH A 3/8" SPACE AT SPLICE JOINTS TO ALLOW FOR THERMAL EXPANSION. FIELD CUT WHERE NECESSARY USING FINE TOOTH HACKSAW OR SNIPS.  
 NOTE: REMOVE PROTECTIVE FILM IMMEDIATELY.

### TYPICAL COPING INSTALLATION



PHONE: 262-953-2666  
 EDGESYSTEMS@TREMCOINC.COM  
 WWW.TREMCOROOFING.COM

DATE: 07/20/18  
 DRN BY: JJC  
 CKD BY: SAK

SHT.# 2 OF 2  
 DWG# 60111-29290 **A**